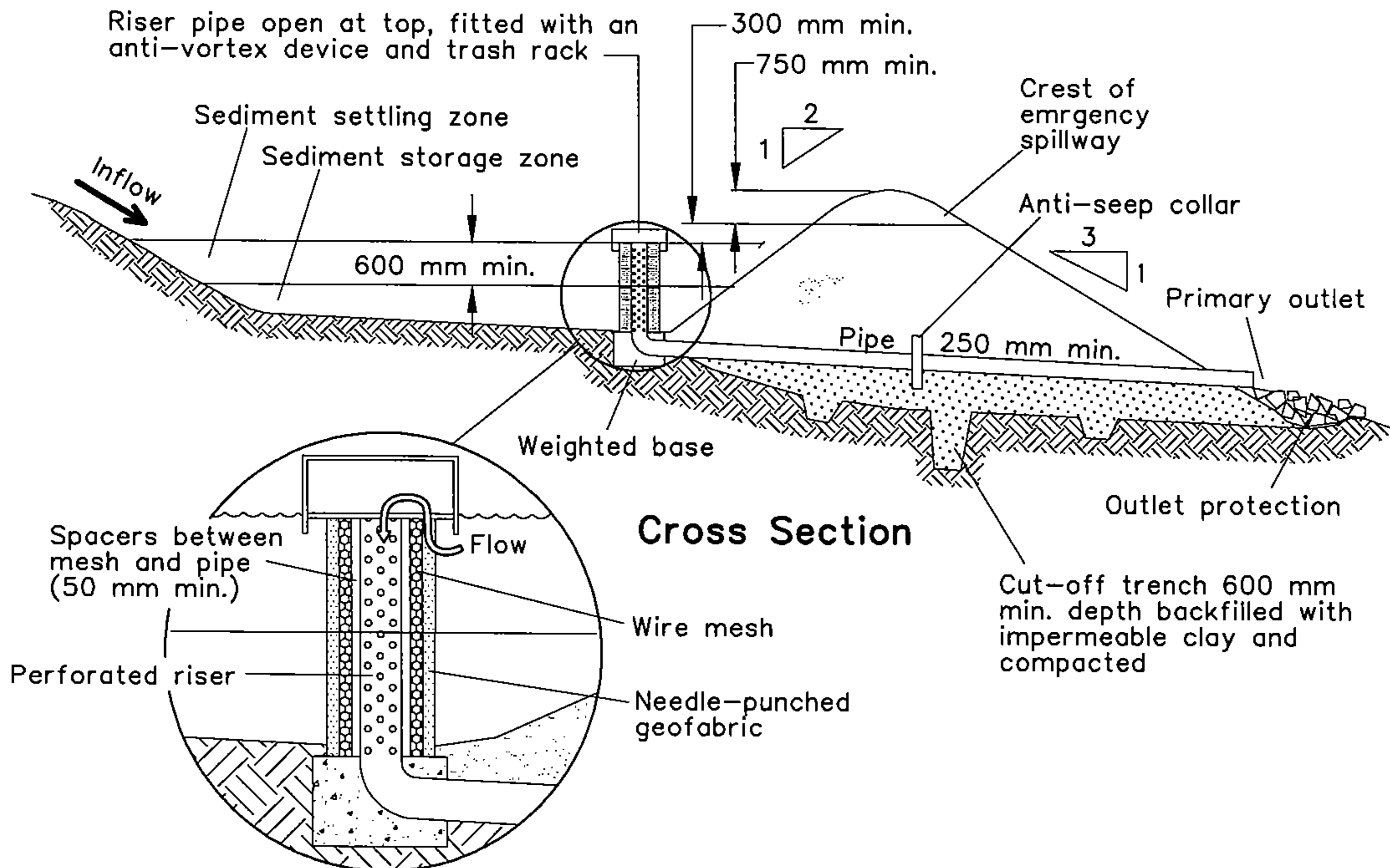


**Plan View**

**Trash Rack/  
Anti-vortex Device**



**Cross Section**

## Construction Notes

1. Remove all vegetation and topsoil from under the dam wall and from within the storage area.
2. Form a cut off trench under the centreline of the embankment 600 mm deep and 1,200 mm wide, extending to a point on the watercourse wall above the riser sill level.
3. Maintain the trench free of water and recompact the materials with equipment as specified in the SWMP to 95 per cent Standard Proctor Density.
4. Select fill according to the SWMP that is free from roots, wood, rock, large stone or foreign material.
5. Prepare the site under the embankment by ripping to at least 100 mm to help bond the compacted fill to the existing substrate.
6. Spread the fill in 100 mm to 150 mm layers and compact it at optimum moisture content following the SWMP.
7. Install the pipe outlet with seepage collars as specified in the SWMP and Standard Drawing 6-3b.
8. Form batter grades at 2(H):1(V) upstream and 3(H):1(V) downstream or as specified in the SWMP