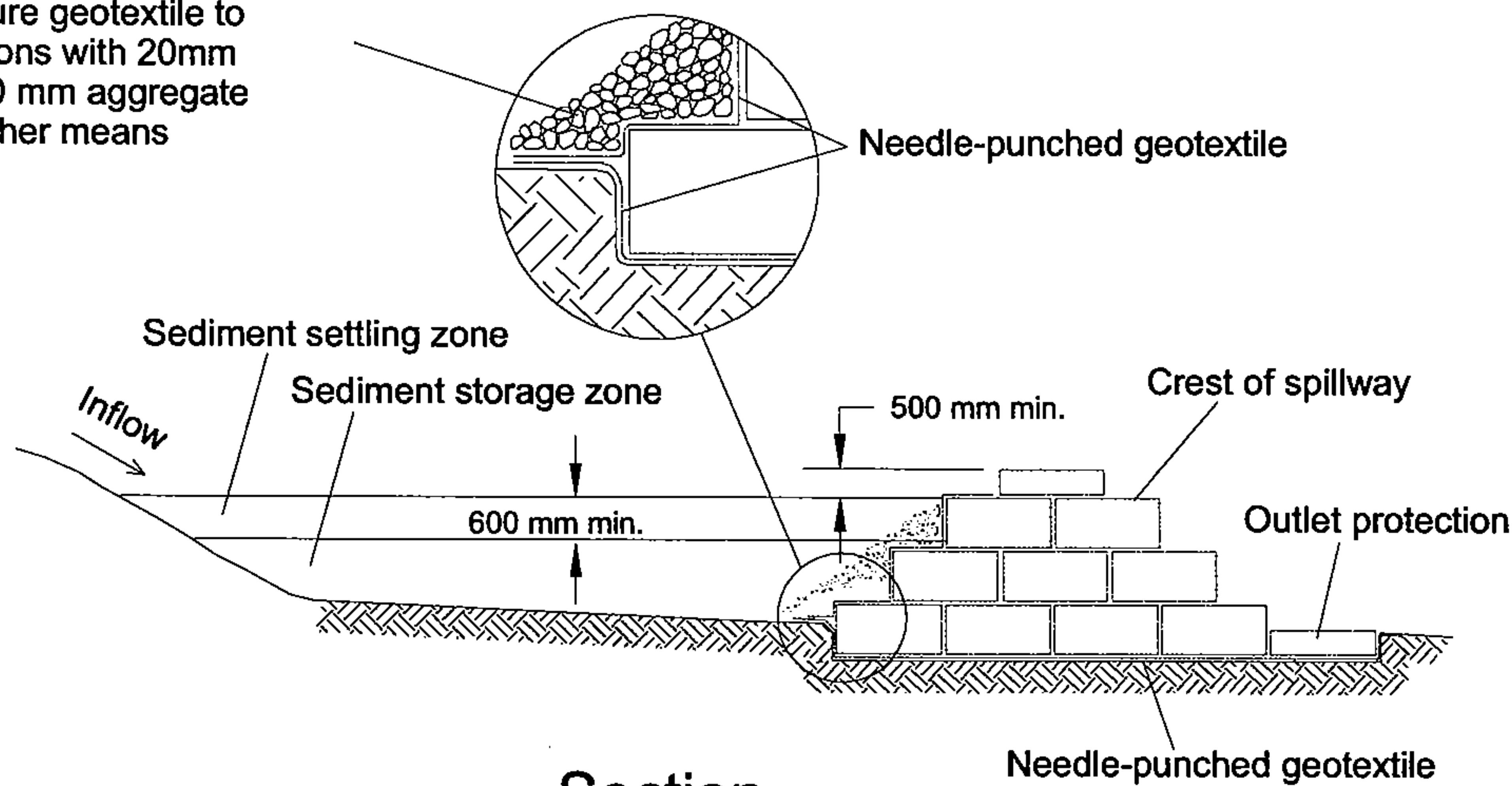
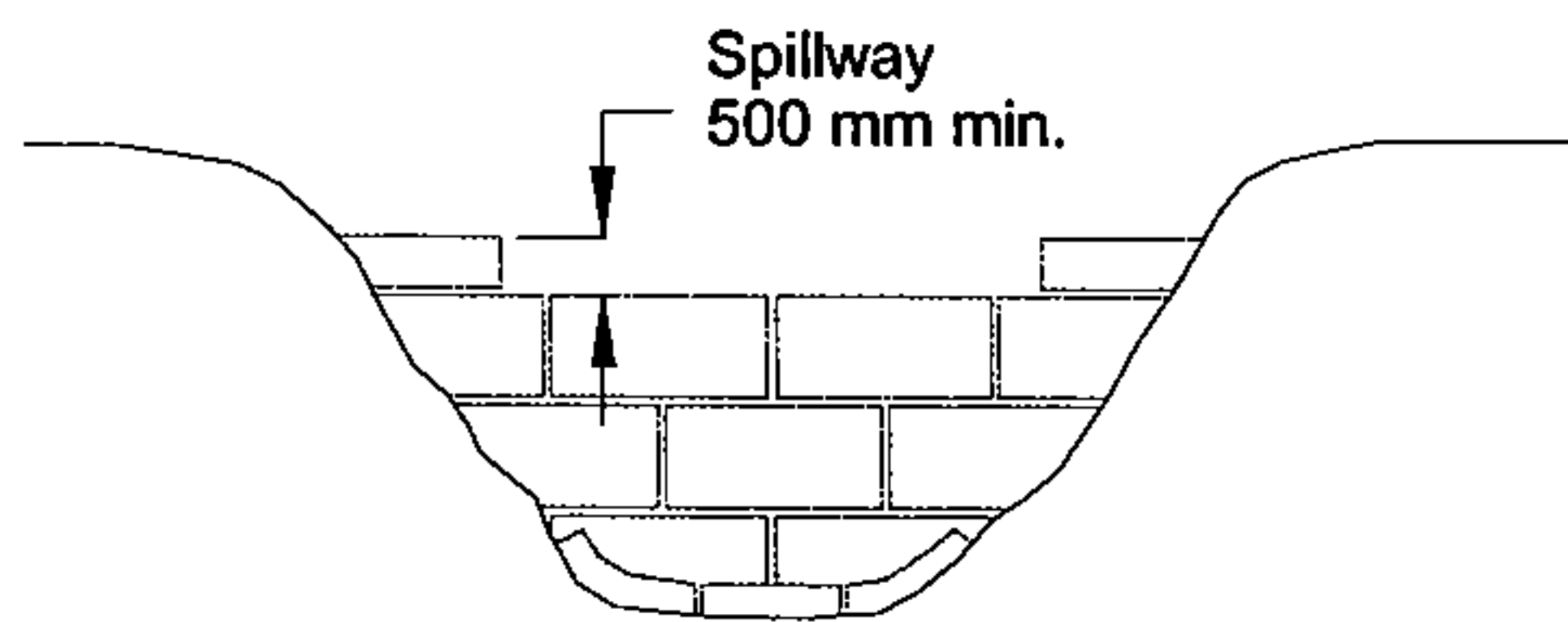


Plan View

Secure geotextile to gabions with 20mm to 30 mm aggregate or other means



Section



Downstream Elevation

NOTE: Spillway width and depth, wall crest width and downstream outlet protection measures to be specified on SWMP.

## Construction Notes

(Applies to Type C soils only)

1. Remove all vegetation and topsoil from under the dam wall and from within the storage area.
2. Excavate to 300 mm depth for the base of the dam wall and form a level platform for the gabions.
3. Line the excavation with a needle-punched geotextile allowing sufficient to line below the wall, and over the upstream gabions and spillway to 500 mm below the spillway exit on the downstream face.
4. Make up the wall profile and outlet protection with gabion units filled with graded rock as specified on the SWMP.
5. Construct a spillway 500 mm below the crest of the dam and for the width specified on the SWMP.
6. Lap the geotextile over the upstream face and through the spillway and fix it in place with the top row of gabions.
7. Cover the upstream face of the wall with 20 mm to 30 mm gravel and geotextile
8. Place a "Full of Sediment" marker to show when less than design capacity occurs and sediment removal is required.
9. Replace the upstream geotextile layer when sediment is removed if a dry basin is required.